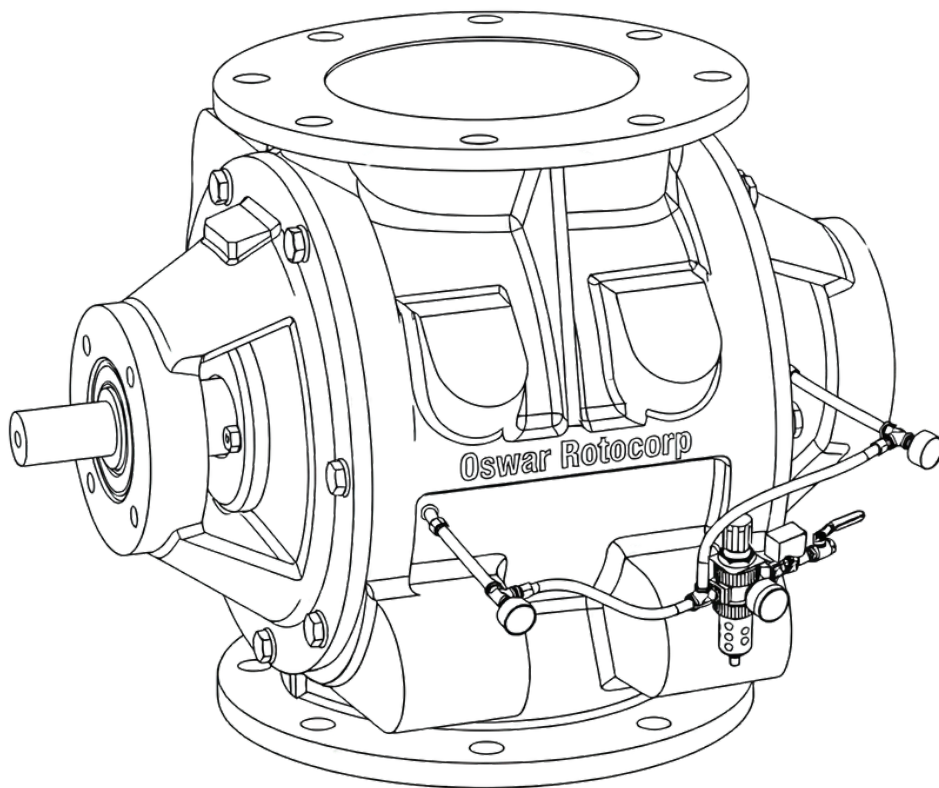


ROTARY AIR LOCK

INSTALLATION & MAINTENANCE MANUAL



OSWAR
rotocorp

1. Pre-Installation Inspection

No transit damage has occurred
Rotor rotates freely without obstruction
Flange connections match system alignment
All fasteners are properly secured

2. Mounting & Alignment

Install the Rotary Valve on a rigid and level foundation
Ensure inlet and outlet flanges are aligned without stress
Avoid pipe misalignment that may distort housing
Tighten flange bolts uniformly

3. Drive System Connection

Confirm correct motor rating and gearbox ratio
Ensure proper coupling alignment
Verify direction of rotation before full operation
Secure all guards before startup

SAFE START-UP & OPERATIONAL CHECKS

1. Initial Start-Up

- Run the Rotary Valve empty
- Check for abnormal vibration or noise
- Monitor motor current draw
- Verify smooth rotor rotation

2. Loading Conditions

- Introduce material gradually
- Avoid sudden overload
- Confirm stable discharge rate
- Monitor system pressure levels

3. Operating Parameters to Monitor

- Bearing temperature
- Shaft seal condition
- Differential pressure
- Rotor speed consistency
- Abnormal sound or vibration

ENSURING LONG-TERM RELIABILITY

1. Routine Maintenance Schedule

- Inspect internal clearances periodically
- Check rotor tips for wear
- Verify housing surface condition
- Lubricate bearings as per schedule
- Inspect shaft seals for leakage

2. Shutdown Maintenance

- Isolate the system from power supply
- Ensure no residual pressure in line
- Confirm material discharge is complete
- Lock-out and tag-out drive system

3. Component Replacement

- Replace worn rotor tips if clearance exceeds specification
- Inspect bearings for wear or overheating
- Check fasteners and sealing surfaces
- Use genuine spare components for replacement

OSWAR

rotocorp

Corporate Office

Jaipur, Rajasthan India
Nagpur, Maharashtra India

Sales Inquiries

info@oswarrotocorp.com

Helpline

[+44 7917 128505](tel:+447917128505) | +91 77422 36474

Copyright © 2026 OSWAR ROTOCORP. All Rights Reserved. OSWAR® is a registered trademark of **OSWAR ROTOCORP**. This brochure makes no offers, representations or warranties (express or implied), and information and data contained in this brochure are for general reference only and may change at any time.